

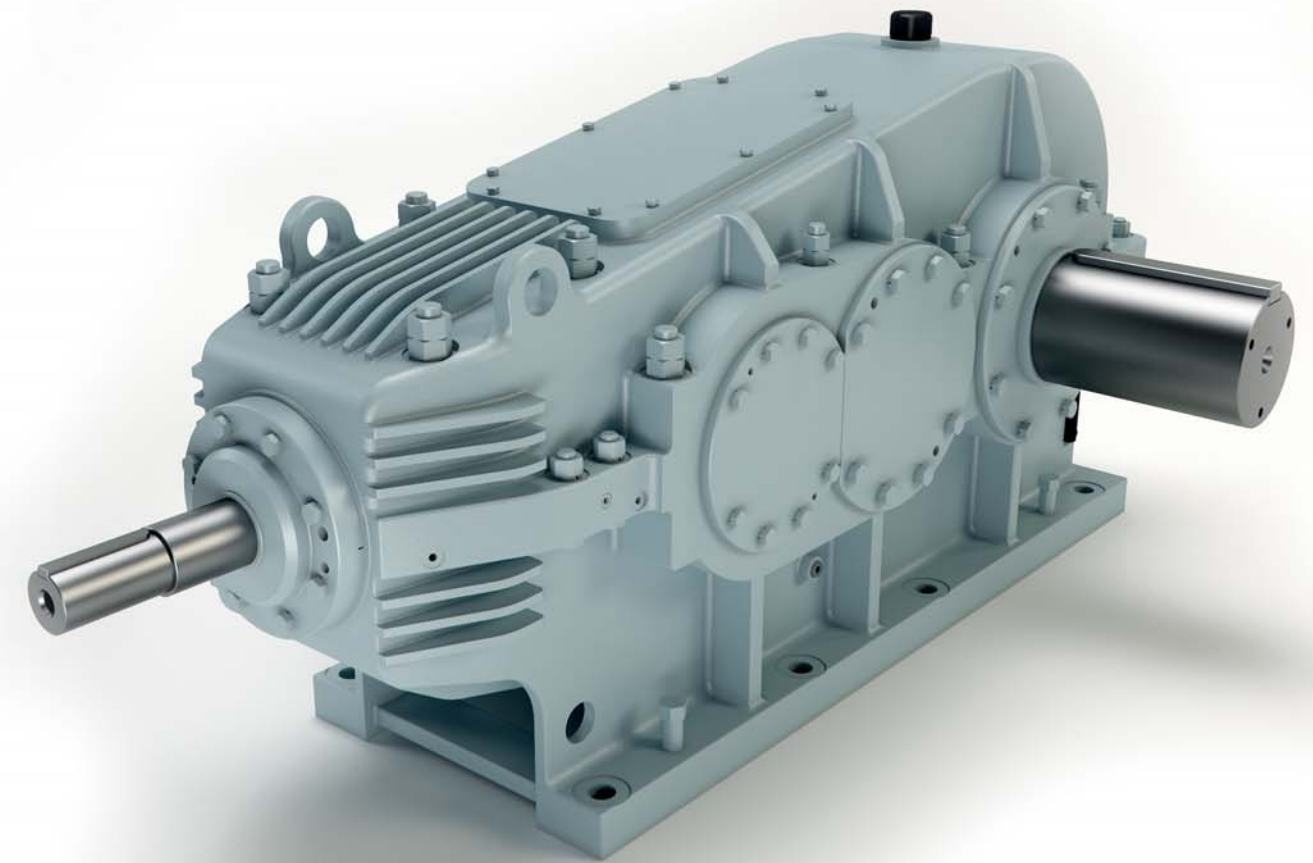
**Wikov** designs, manufactures, supplies and services a wide range of high performance gearboxes for bulk material logistics. Our gearboxes drive belt conveyors around the world already for decades.

Our success is based on experience we gained

in our 130 years history, international team of R&D specialists and state of the art production technologies. These main pillars lead to identifying the best solution for you with maximizing functional and economical parameters of your application.

# Gearboxes for Belt Conveyors

Engineered Drive Solutions for Extreme Conditions



## Wikov Manufacturing Facility

### Contacts

**Wikov Gear s. r. o.**

Tylova 1/57

316 00 Pilsen

Czech Republic

T: +420 377 177 110

F: +420 377 177 119

E: gear@wikov.com

www.wikov.com

EN1504

© Wikov Industry a.s. 2015



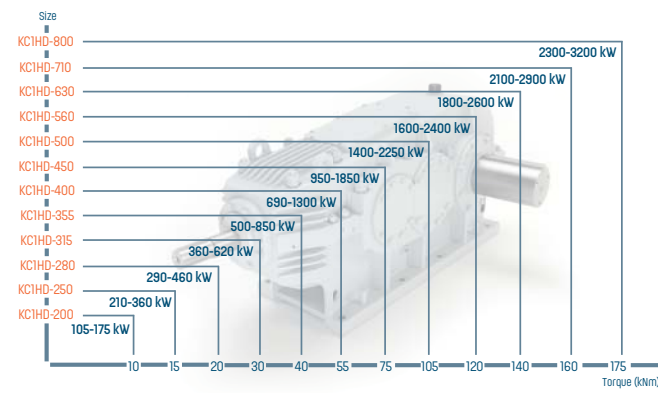
**The Essence of Engineering**



**Belt conveyors** mostly exposed to harsh conditions when operated in mines and other bulk material handling applications require heavy-duty drives. The right solution for either **moderate or extreme climate conditions** is offered in Wikov traditional gearbox series with around **2 500 installations** in mine, cement or sugar operations worldwide, mostly under SKODA brand. Short delivery time for customized gearbox is supported by strong R&D team and complete in-house manufacturing.

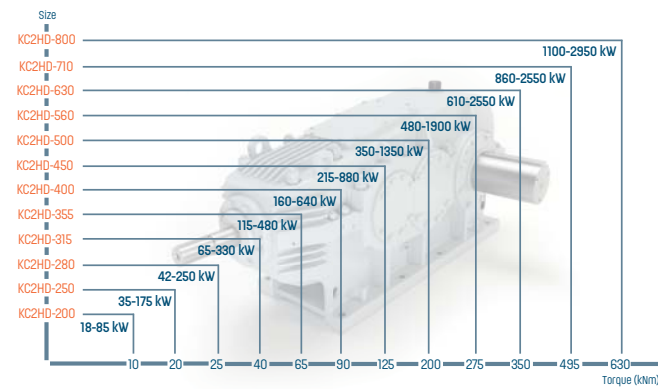


**Wikov bevel-helical gearboxes for conveyor drives are available from two stage to four stage execution.**



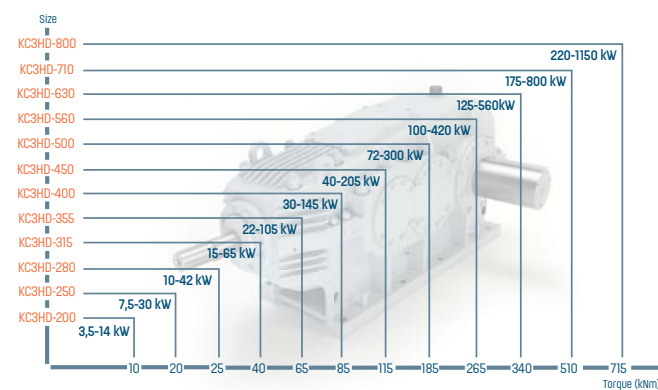
Parameter	Value
Power (kW)	105-3200
Torque (kNm)	10-175
Ratio	5.12

technical specification of the bevel-helical gearbox series



Parameter	Value
Power (kW)	18-2950
Torque (kNm)	10-630
Ratio	14-90

technical specification of the bevel-helical gearbox series



Parameter	Value
Power (kW)	3,5-1150
Torque (kNm)	10-715
Ratio	90-400

technical specification of the bevel-helical gearbox series

# Belt Conveyor Gearboxes

## Key features

- Custom designed and built to match your specification
  - FEA optimized gearbox casing for increased rigidity and optimal power to weight ratio
  - Maintenance-free operation due to smart lubrication system
  - Tiltable gearbox position up to 10° depending on the operating conditions\*
  - Reduced service costs due to 4 times longer bearings life
  - Enhanced thermal capacity via optimized fin geometry and air-flow
  - Faster assembly and maintenance due to split casing
  - Variety of optional equipment: reverse brake, fan, heater, thermostat, backstops, starting clutch, electric motor
  - Solution for extremely cold climate conditions
- \* above 10° upon request

## Wikov – The Essence of Engineering

Gear manufacturing tradition since 1918

Rapid prototyping

Manufacture to latest international standards such as ISO, DIN, AGMA, API and others

In house load testing incl. NVH analysis (noise, vibration and harshness)

Service, overhauls and upgrades of own or other brands

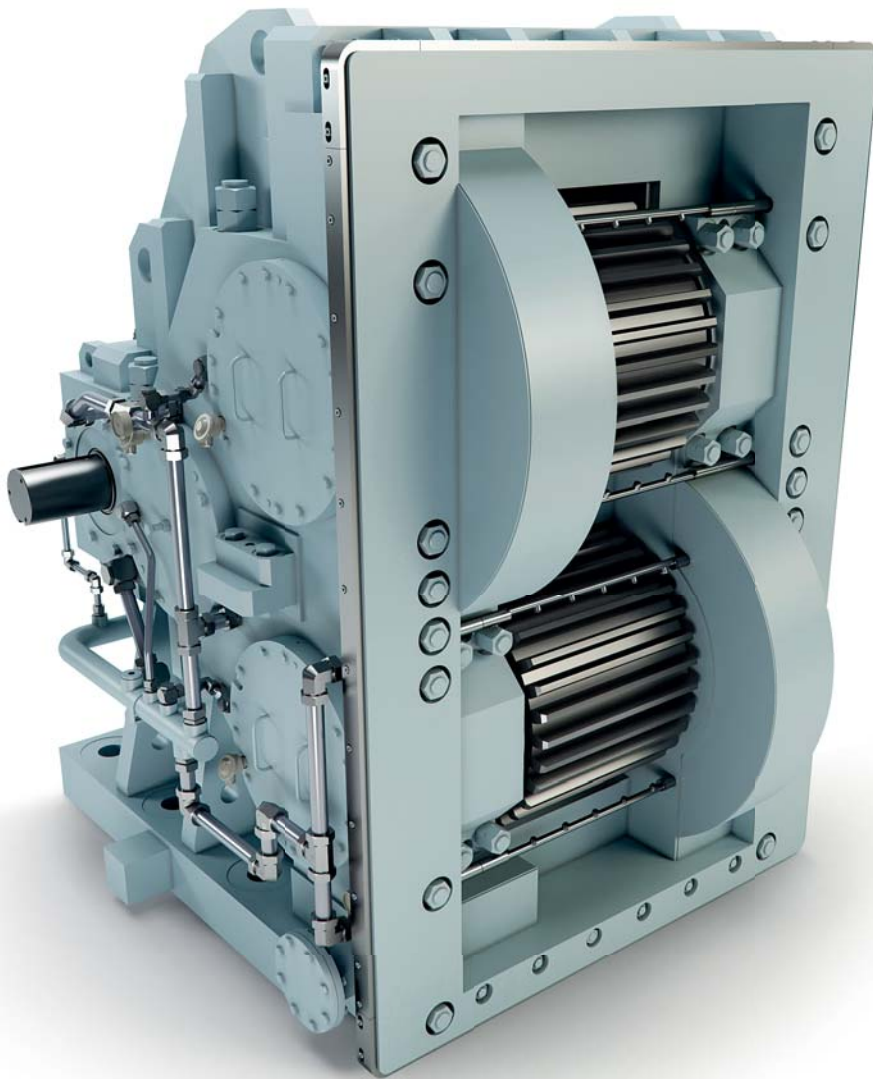
WiGuard remote condition monitoring system



# Side Drive Gearboxes for Ball Mills

Engineered Drive Solutions for Fast Return on Investment

FAST DELIVERY  
up to 3 months\*



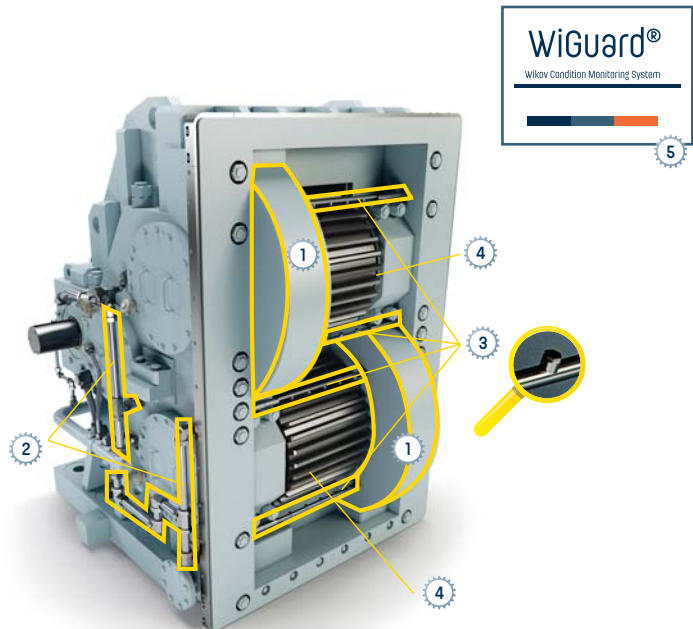
**WIKOV**

**The Essence of Engineering**



# Side Drive Gearbox for Ball Mills

**Wikov** as a leading supplier into the world of cement industry contributes to the business by a range of robust side drive gearboxes requiring minimum maintenance and ensuring extended lifetime. Our innovative solution will be tailored to your specific needs with respect to a fast return on investment.



## Advantages of Wikov Side Drive Gearboxes

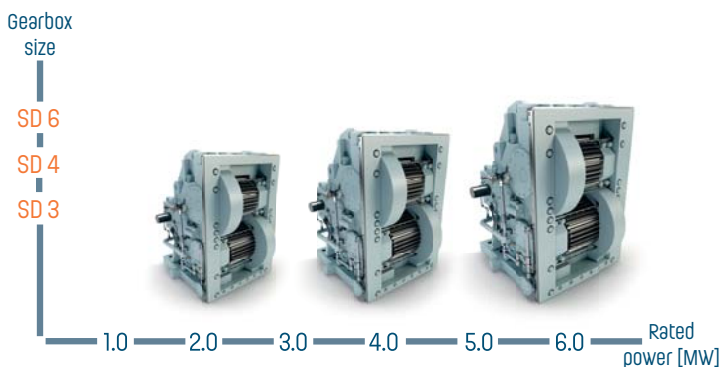
1. **Separated lubrication system** – oil loop perfectly sealed by covers and labyrinths - protects gears, bearings and lubrication pump against dust contamination from the girth gear
2. Lubrication piping system outside gearbox housing enables fast dismantling of oil spraying bars without disconnecting the gearbox from a girth gear
3. Oil spraying bars fitted with special nozzles with increased resistance against clogging
4. Optimized tooth contact with self-aligning pinion compensating condition/wear of the girth gear
5. WiGuard – remote condition monitoring of the gearbox operation

## DROP-IN REPLACEMENT CAPABILITY:

equal to sizes 18 / 22 / 25,4 / 30

connection to the existing oil system without modification

possibility to use 2 oil viscosities for 2 separated oil circuits – ISO VG 460 for girth gear oil circuit and ISO VG 320 for gearbox internals such as bearings etc.  
**Oils do not mix!**



GEARBOX TYPE	SD3	SD4	SD6
Rated power (kW)	2,500 - 3,300	3,400 - 4,000	4,100 - 6,500
Max. output torque (kNm)	255	310	450
Module of output pinions	18	22	25.4 and 30
Gear ratio	6.2 - 9.6	6.2 - 9.6	6.2 - 9.6
Separated lubrication system	Yes	Yes	Yes

### Technical Parameters

\* precise delivery date to be coordinated with our sales representative

### Contacts

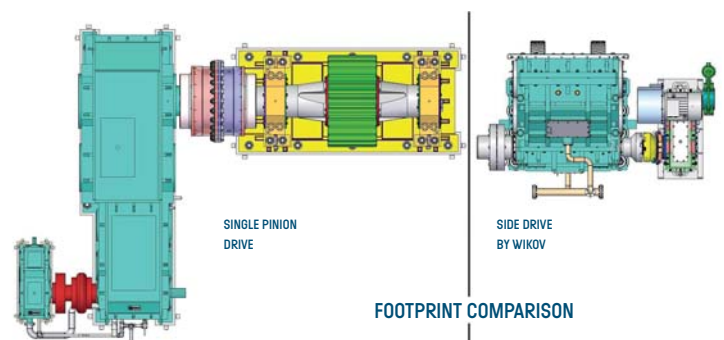
**Wikov Gear s. r. o.**

Tylova 1/57, 316 00 Pilsen, Czech Republic

T: +420 377 177 110, F: +420 377 177 119, E: gear@wikov.com, www.wikov.com

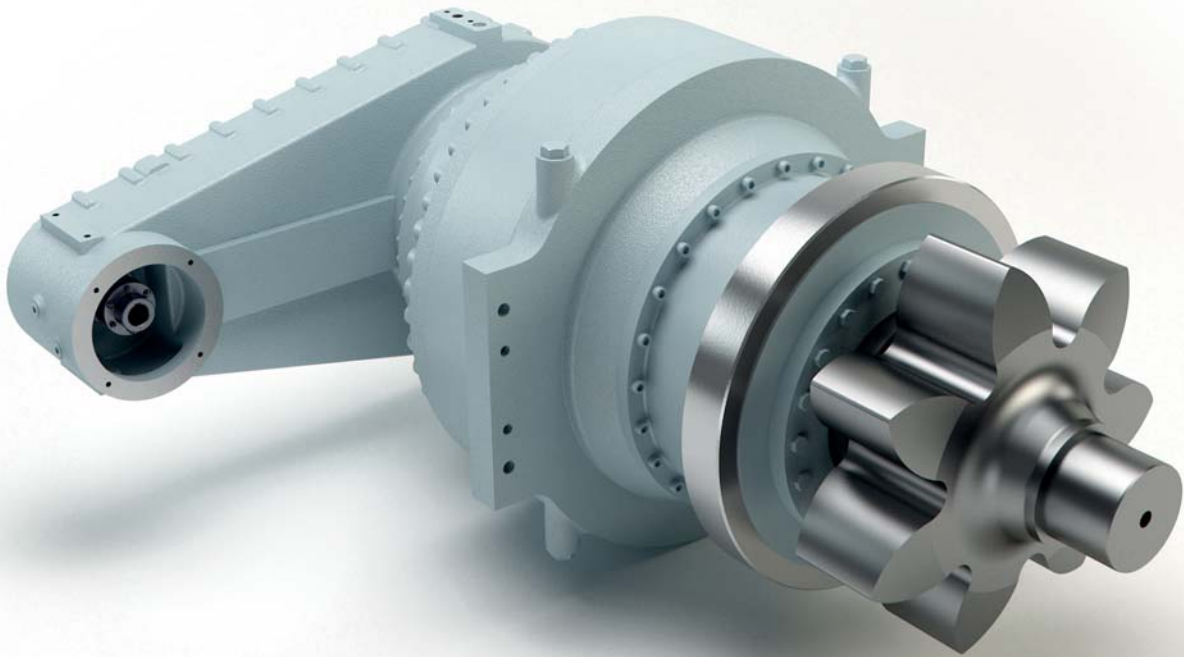
## SMALL FOOTPRINT

### COMPARISON OF CONVENTIONAL AND SIDE DRIVE SOLUTIONS



# Gearboxes for Offshore Jacking Systems

Engineered Drive Solutions for Oil & Gas Industry



**WIKOV**

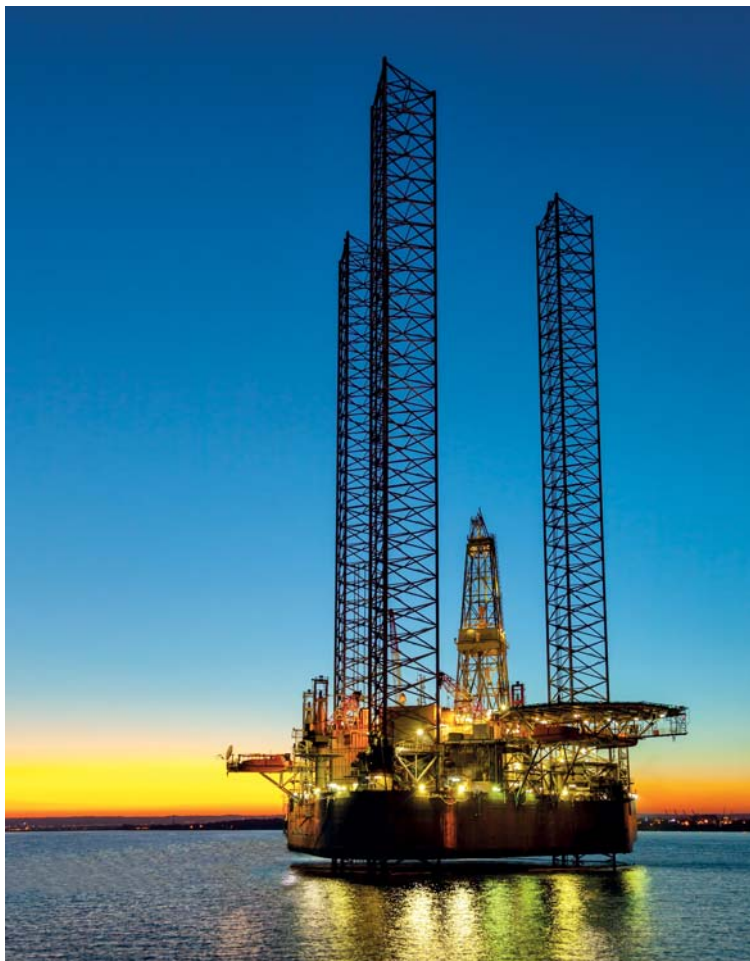
**The Essence of Engineering**

# Gearboxes for Offshore Jacking Systems

**Wikov** engineering competence is reflected in our heavy duty jacking gearboxes which are designed with respect to harsh conditions and long life. Our wide range of highly competitive gearing technology matches each application including helical, planetary, spur and herringbone gearing.



JACK-UP GEARBOX	electric driven		hydraulic driven	
	JP-H300	JP-H600	JP 500	JP-400
Total ratio	7,389	7,630	96	96
Weight (kg)	5,800	9,900	6,050	2,950
Jacking velocity (m/min)	up to 0.45	up to 0.43	up to 2.20	up to 1.10
Max. jacking (kNm) / gearbox output torque	1,070	2,225	1,400	600
Jacking capacity / pinion load (t)	296	556	408	349
Max. normal holding (kNm) / gearbox output torque	1,373	3,046	1,500	670
Normal holding capacity / pinion load (t)	400	845	437	390



## Wikov – The Essence of Engineering

Robust and precise gears to fit all types of jacking systems

Full compliance with DNV, ABS and other standards

Complete gear and pinion solutions

On-site service and maintenance capability

**WiGuard** - remote condition monitoring system

### Contacts

**Wikov Gear s. r. o.**

Tylova 1/57, 316 00 Pilsen, Czech Republic

T: +420 377 177 110, F: +420 377 177 119, E: gear@wikov.com, www.wikov.com

EN1504

© Wikov Industry a.s. 2015