



LMI Product Catalog

*Premium Shaft Mount Gear Reducers
Built For The Long Haul*



**Featuring Shaft Mount Models DIR1 through DIR10,
Accessories, and Rebuild Kits**

The Better Alternative!

January 2004

1-877-325-7520

LMI Premium Quality Shaft Mount Gear Reducers



LMI Shaft Mount and Accessories Catalog

*Unmatched Performance,
Value, and Service.*

CONTENTS

Features and Overview	1
Selection Procedure	2
Application Classification Table	3-4
Shaft Mount Specifications, Dimensions, and Overview	5-14
Accessories and Specifications	15-19
LMI Interchange	20-26
Individual Replacement Parts	27
LMI Rebuild Kits	28-29

© 2003 LMI All Rights Reserved.

1406 N. Broadway • Ada, Oklahoma 74820 • 1-877-325-7520



LMI Premium Quality Shaft Mount Gear Reducers
1-877-325-7520

FEATURES AND OVERVIEW

Introduction

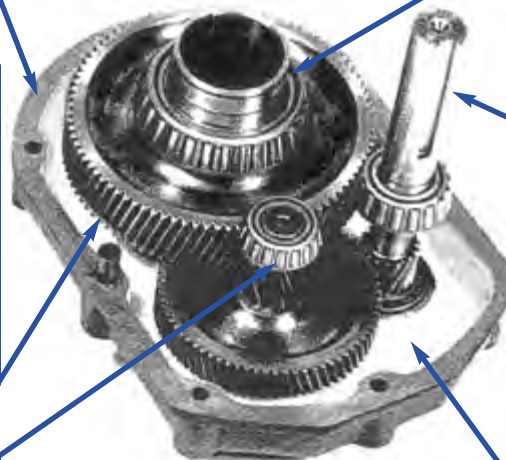
The LMI Shaft Mount Reducer Models (DIR Sizes 1-10) are ideally suited to power conveyors, mixers, elevators, extruders, pumps, and many other applications that require heavy duty applications. The speed reducer shall be either belt driven or direct coupled, enclosed shaft mount-type unit with double reduction ratio. The reducer is mounted directly on the driven shaft and utilizes an adjustable torque-arm to support the gear case to the support structure. All gearings are helical design, case carburized, precision ground rather than shaved, with a Rockwell hardness C 58-62 with a resilient core for high shock load capacity. All shaft mounts contain double lip seals, spring load type made of nitrile rubber. Tapered bushings with a wide range of bore variations provide an effective and simple way to mount the reducer.

Housings are of high strength ductile iron for rigid bearing support and precision gear alignment. Excellent corrosion resistance.

Bolt holes for CEMA adapter drilled and tapped as standard. Reduces inventory due to versatility.

Double lip seals feature premium design with spring loaded and metal reinforced construction. All sealing surfaces are smooth ground for optimum sealing.

Premium efficiency gearing is manufactured from high strength steel, precision ground, case hardened to RC 62 and AGMA class 12. Designed for high load capability, efficient, and quiet operation.



Input shafts are machined and hardened from premium quality alloy steel for high strength and extended service life. Input shafts are precision ground and case-carburized.

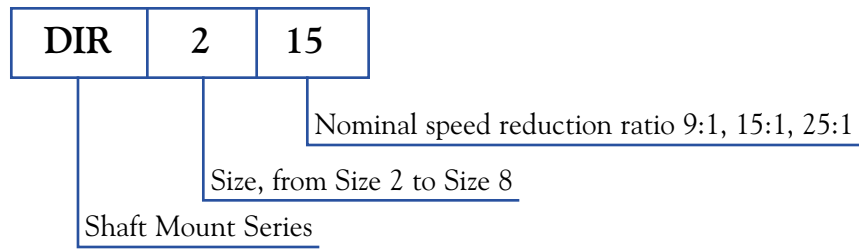
Ball and tapered roller bearings are selected from brand name manufacturers for optimum life and load-carrying capability.

Efficient and ample lubrication is provided by splash from the large oil sump.



SELECTION PROCEDURE

Designation



Selection Procedure

LMI has selection options for several different sizes of shaft mounts, all of which share the nominal ratios of 9:1, 15:1, and 25:1, with output speeds up to 200RPM and ratings up to 200HP. DIR shaft mount reducers are selected by input horsepower and the output speed they provide. AGMA load applications have been provided in our brochure to help you determine the correct size of shaft mount for your specific application.

AGMA Load Classification Numbers

Determine the AGMA Load Classification Number for your application from the tables. In mechanical drives, the presence of shock loads will usually reduce the life of the reducers. In order to provide optimum service in heavily loaded applications, it is necessary to use load classes to adjust the reducer ratings for the stresses created by different types of loads. The AGMA Load Classes provide for a momentary or starting load of 2.0 times for Class I, 2.8 for Class II, and 4.0 for Class III.

Load Class (SF) Operation	Up to 3 Hours Total Operation	3 to 10 Hours Total Operation	Over 10 Hours Total Operation
I (1.0)	Moderate Shock Load	Uniform Load	
II (1.4)	Heavy Shock Load	Moderate Shock Load	Uniform Load
III Moderate (2.0)		Heavy Shock Load	Moderate Shock Load

APPLICATION CLASSIFICATION

Application	Class Numbers		Application	Class Numbers	
	3-10 Hrs	Over 10		3-10 Hrs	Over 10
AGITATORS (MIXERS)			FEEDERS		
Pure liquids	I	II	Apron	II	II
Liquids and Solids	II	II	Belt	II	II
Liquids Variable Density	II	II	Disc	I	II
BLOWERS			Reciprocating	III	III
Centrifugal	I	II	Screw	II	II
Lobe	II	II	FOOD INDUSTRY		
Vane	II	II	Cereal Cooker	I	II
BREWING AND DISTILLING			Dough Mixer	II	II
Bottling Machinery	I	II	Meat Grinders	II	II
Brew Kettles-Continuous Duty	II	II	Slicers	II	II
Cookers-Continuous Duty	II	II	GENERATORS AND EXCITERS	II	II
Mash Tubs-Continuous Duty	II	II	HAMMER MILLS	III	III
Scale Hopper-Frequent Status	II	II	HOISTS	I	I
CAN FILLING MACHINES	I	II	LAUNDRY TUMBLERS	II	II
CAR DUMPERS	III	III	LAUNDRY WASHERS	II	III
CAR PULLERS	II	II	LUMBER INDUSTRY		
CLARIFIERS	I	II	BARKERS		
CLASSIFIERS	II	II	Spindle Feed	II	II
CLAY WORKING MACHINERY			Main Drive	III	III
Brick Press	III	III	CONVEYORS		
Briquette Machine	III	III	Main or Heavy Duty	II	II
Pug Mill	II	II	Burner	II	II
COMPACTORS	I	I	Main	III	III
COMPRESSORS			Re-saw Merry-Go-Round	II	II
Centrifugal	I	I	Slab	III	III
Lobe	II	II	Transfer	II	II
Reciprocating Multi-Cylinder	II	III	CHAINS		
Reciprocating Single-Cylinder	III	III	Floor	II	II
CRANES	I	I	Green	II	II
CRUSHER			CUT OFF SAWS		
Stone	III	III	Chain	II	II
DREDGES			Drag	II	II
Cable Reels	II	II	DEBARKING DRUMS	III	III
Conveyors	II	II	FEEDS		
Cutter Head Drives	III	III	Edger	II	II
Pumps	III	III	Gang	III	III
Screen Drives	III	III	Trimmer	II	II
Stackers	II	II	LOG DECK	III	III
Winches	II	II	LOG HAULS - INCLINE WELL TYPE	III	III
			LOG TURNING DEVICES	III	III
			PLANER FEED	II	II
			ROLLS LIVE - OFF BRG - ROLL CASES	III	II
			SORTING TABLE	II	III

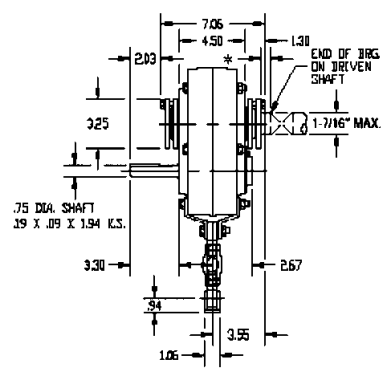
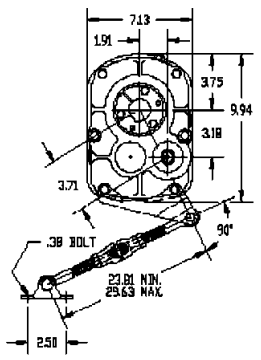


APPLICATION CLASSIFICATION (continued)

Application	Class Numbers		Application	Class Numbers	
	3-10 Hrs	Over 10		3-10 Hrs	Over 10
ELEVATORS			LUMBER INDUSTRY		
Bucket	II	II	Planer Tilting Hoists	II	II
Centrifugal Discharge	I	II	Rolls Live off Brg. Roll Cases	III	III
Escalators	I	II	Sorting Table	II	II
Freight	II	II	Tipple Hoists	Ii	II
Gravity Discharge	I	II	Transfers		
EXTRUDERS			Chain	II	III
General	II	II	Craneway	II	III
PLASTICS			Tray Drives	II	II
Variable speed Drive	III	III	Veneer Lathe Drives	II	II
Fixed Speed Drive	III	III	METAL MILLS		
RUBBER			Draw Bench Carriage	II	II
Continuous Screw Operations	III	III	Runout Table		
Intermittent Screw Operations	III	III	Non-Reversing		
FANS			Group Drives	II	II
Centrifugal	I	II	Individual Drives	III	III
Forced Draft	II	II	Slab Pushers	II	II
Induced Draft	Ii	II	Shears	III	III
Industrial & Mine	II	II	Wire Drawing	II	II
			Wire Winding Machine	II	II

DIR1 Shaft Mount Reducer/Accessories

Refer to Accessories Outline Pages for Further Detail



DIR1 Shaft Mount Reducer / Accessories

Reducer Size	Ratio	Model #	AGMA Code	Weight (Lbs)
1	9:1	DIR109	107D09	55
1	15:1	DIR115	107D15	55
1	25:1	DIR125	107D25	55

*Includes Torque Arm assembly

DIR1 Tapered Bushing Sizes

Stock Bore Size	Shaft Keyseat Dim.	Model #	Weight (Lbs)
1-7/16(max)	3/8x3/16x6-7/16	TB11716	2
1-3/8	5/16x5/32x6-7/16	TB1138	1.8
1-5/16	5/16x5/32x6-7/16	TB11516	1.8
1-1/4	1/4x1/8x6-7/16	TB1114	2



DIR1 Motor Mount

Description	Model #	Frame	Weight (Lbs)
Motor Mount Standard	MM 1	56T-215T	37.5



DIR1 Backstop

Description	Model #	Weight (Lbs)
Backstop Assembly	BS 1	.8



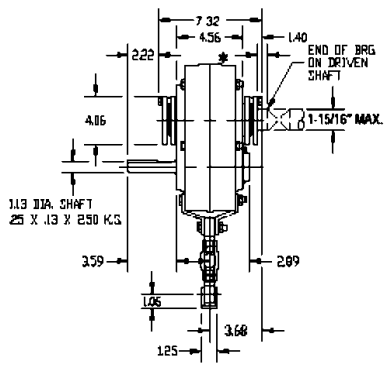
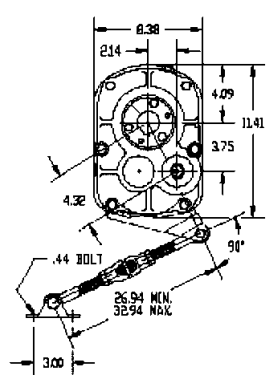
DIR1 Metal Belt Guards

Description	Model #	Weight (Lbs)
Metal Belt Guard	BG 1	30



DIR2 Shaft Mount Reducer/Accessories

Refer to Accessories Outline Pages for Further Detail



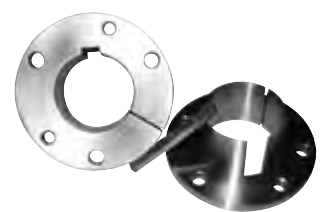
DIR2 Shaft Mount Reducer / Accessories

Reducer Size	Ratio	Model #	AGMA Code	Weight (Lbs)
2	9:1	DIR209	115D09	67
2	15:1	DIR215	115D15	67
2	25:1	DIR225	115D25	67

*Includes Torque Arm assembly

DIR2 Tapered Bushing Sizes

Stock Bore Size	Shaft Keyseat Dim.	Model #	Weight (Lbs)
1-15/16(Max)	1/2x1/4x6-11/16	TB211516	2.9
1-3/4	3/8x3/16x6-11/16	TB2134	3.3
1-11/16	3/8x3/16x6-11/16	TB211116	3.4
1-5/8	3/8x3/16x6-11/16	TB2158	3.2



DIR2 Motor Mount

Description	Model #	Frame	Weight (Lbs)
Motor Mount Standard	MM 2	56T-215T	37.5



DIR2 Backstop

Description	Model #	Weight (Lbs)
Backstop Assembly	BS 2	1



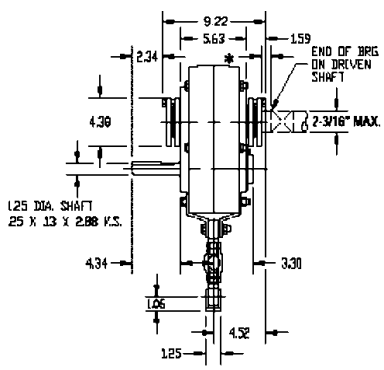
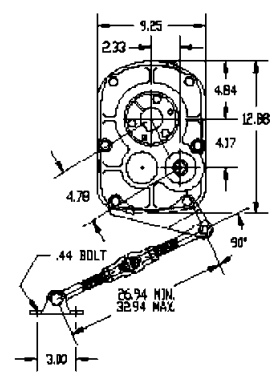
DIR2 Metal Belt Guards

Description	Model #	Weight (Lbs)
Metal Belt Guard	BG 2	30



DIR3 Shaft Mount Reducer/Accessories

Refer to Accessories Outline Pages for Further Detail



DIR3 Shaft Mount Reducer / Accessories

Reducer Size	Ratio	Model #	AGMA Code	Weight (Lbs)
3	9:1	DIR309	203D09	100
3	15:1	DIR315	203D15	100
3	25:1	DIR325	203D25	100

*Includes Torque Arm assembly

DIR3 Tapered Bushing Sizes

Stock Bore Size	Shaft Keyseat Dim.	Model #	Weight (Lbs)
2-3/16 (max)	1/2x1/4x8-1/16	TB32316	3.7
2	1/2x1/4x8-1/16	TB32	4.1
1-15/16	1/2x1/4x8-1/16	TB311516	4.4
1-7/8	1/2x1/4x8-1/16	TB3178	4.3



DIR3 Motor Mount



Description	Model #	Frame	Weight (Lbs)
Motor Mount Standard	MM 3	56T-215T	42.5

DIR3 Backstop



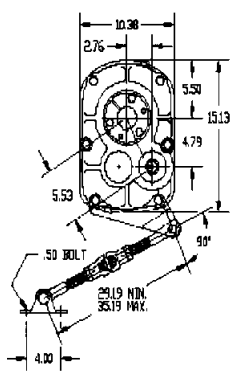
Description	Model #	Weight (Lbs)
Backstop Assembly	BS 3	.8

DIR3 Metal Belt Guards



Description	Model #	Weight (Lbs)
Metal Belt Guard	BG 3	44





DIR4 Shaft Mount Reducer/Accessories

Refer to Accessories Outline Pages for Further Detail

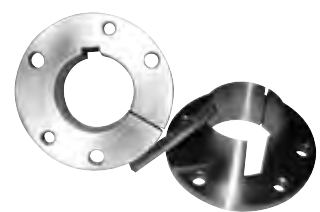
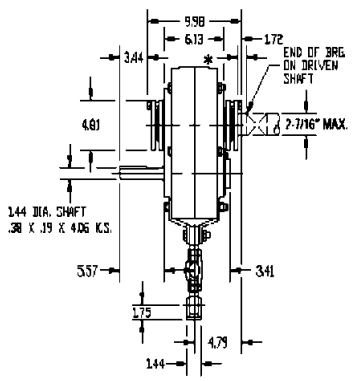
DIR4 Shaft Mount Reducer / Accessories

Reducer Size	Ratio	Model #	AGMA Code	Weight (Lbs)
4	9:1	DIR409	207D09	150
4	15:1	DIR415	207D15	150
4	25:1	DIR425	207D25	150

*Includes Torque Arm assembly

DIR4 Tapered Bushing Sizes

Stock Bore Size	Shaft Keyseat Dim.	Model #	Weight (Lbs)
2-7/16 (max)	5/8x5/16x9-1/32	TB42716	5.8
2-1/4	1/2x1/4x9-1/32	TB4214	6.3
2-3/16	1/2x1/4x9-1/32	TB42316	6.7
2-1/8	1/2x1/4x9-1/32	TB4218	7
2	1/2x1/4x9-1/32	TB42	7.1
1-15/16	1/2x1/4x9-1/32	TB411516	7.4
1-7/8	1/2x1/4x9-1/32	TB4178	8
1-3/4	3/8x3/16x9-1/32	TB4134	8
1-11/16	3/8x3/16x9-1/32	TB411116	8.3
1-5/8	3/8x3/16x9-1/32	TB4158	8.3
1-1/2	3/8x3/16x9-1/32	TB4112	8.3
1-7/16	3/8x3/16x9-1/32	TB41716	8.3



DIR4 Motor Mount

Description	Model #	Frame	Weight (Lbs)
Motor Mount Standard	MM 4	(143T-286T)	73



DIR4 Backstop

Description	Model #	Weight (Lbs)
Backstop Assembly	BS 4	1.2



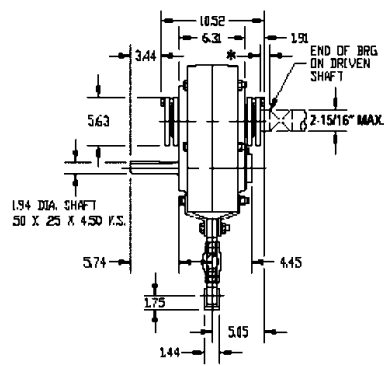
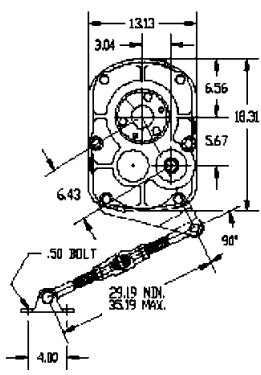
DIR4 Metal Belt Guards

Description	Model #	Weight (Lbs)
Metal Belt Guard	BG 4	56



DIR5 Shaft Mount Reducer/Accessories

Refer to Accessories Outline Pages for Further Detail



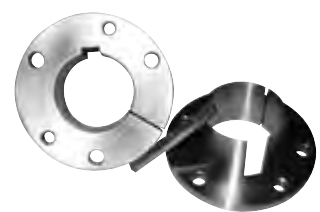
DIR5 Shaft Mount Reducer / Accessories

Reducer Size	Ratio	Model #	AGMA Code	Weight (Lbs)
5	9:1	DIR509	215D09	225
5	15:1	DIR515	215D15	225
5	25:1	DIR525	215D25	225

*Includes Torque Arm assembly

DIR5 Tapered Bushing Sizes

Stock Bore Size	Shaft Keyseat Dim.	Model #	Weight (Lbs)
2-15/16(max)	3/4x3/8x9-3/8	TB521516	7.8
2-11/16	5/8x5/16x9-3/8	TB521116	7.9
2-1/2	5/8x5/16x9-3/8	TB5212	8.5
2-7/16	5/8x5/16x9-3/8	TB52716	8.5
2-1/4	1/2x1/4x9-3/8	TB5214	9.2
2-3/16	1/2x1/4x9-3/8	TB52316	10
2	1/2x1/4x9-3/8	TB52	10.2
1-15/16	1/2x1/4x9-3/8	TB511516	10.3
1-7/8	1/2x1/4x9-3/8	TB5178	10.3



DIR5 Motor Mount

Description	Model #	Frame	Weight (Lbs)
Motor Mount Standard	MM 5	(143T-286T)	73



DIR5 Backstop

Description	Model #	Weight (Lbs)
Backstop Assembly	BS 5	2.2



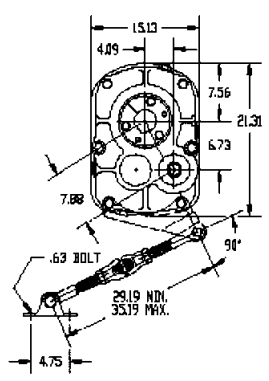
DIR5 Metal Belt Guards

Description	Model #	Weight (Lbs)
Metal Belt Guard	BG 5	73



DIR6 Shaft Mount Reducer/Accessories

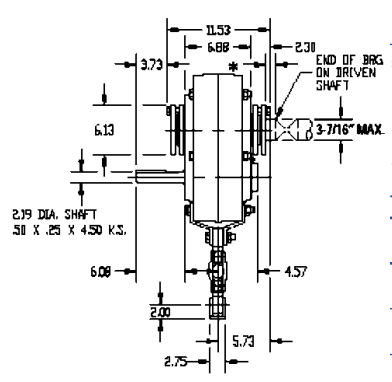
Refer to Accessories Outline Pages for Further Detail



DIR6 Shaft Mount Reducer / Accessories

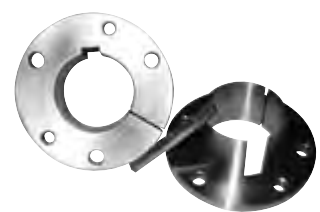
Reducer Size	Ratio	Model #	AGMA Code	Weight (Lbs)
6	9:1	DIR609	307D09	310
6	15:1	DIR615	307D15	310
6	25:1	DIR625	307D25	310

*Includes Torque Arm assembly



DIR6 Tapered Bushing Sizes

Stock Bore Size	Shaft Keyseat Dim.	Model #	Weight (Lbs)
3-7/16(max)	7/8x7/16x10-11/16	TB63716	9
3	3/4x3/8x10-11/16	TB63	11.3
2-15/16	3/4x3/8x10-11/16	TB621516	11.6
2-7/8	3/4x3/8x10-11/16	TB6278	12.2
2-11/16	5/8x5/16x10-11/16	TB621116	12.9
2-1/2	5/8x5/16x10-11/16	TB5212	14
2-7/16	5/8x5/16x10-11/16	TB62716	14.4
2-1/4	1/2x1/4x10-11/16	TB6214	14.9
2-3/16	1/2x1/4x10-11/16	TB62316	



DIR6 Motor Mount



Description	Model #	Frame	Weight (Lbs)
Motor Mount Standard	MM 6	(143T-326T)	95

DIR6 Backstop



Description	Model #	Weight (Lbs)
Backstop Assembly	BS 6	2.5

DIR6 Metal Belt Guards

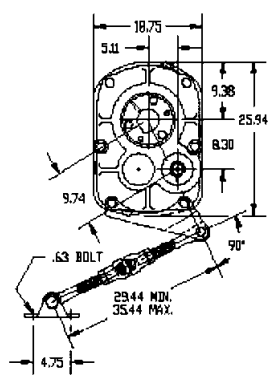


Description	Model #	Weight (Lbs)
Metal Belt Guard	BG 6	80



DIR7 Shaft Mount Reducer/Accessories

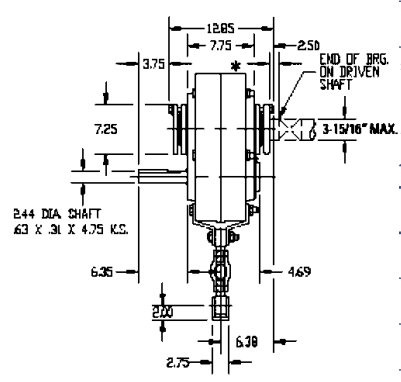
Refer to Accessories Outline Pages for Further Detail



DIR7 Shaft Mount Reducer / Accessories

Reducer Size	Ratio	Model #	AGMA Code	Weight (Lbs)
7	9:1	DIR709	315D09	490
7	15:1	DIR715	315D15	490
7	25:1	DIR725	315D25	490

*Includes Torque Arm assembly



DIR7 Tapered Bushing Sizes

Stock Bore Size	Shaft Keyseat Dim.	Model #	Weight (Lbs)
3-15/16(max)	1x1/2x11-27/32	TB731516	13.8
3-7/16	7/8x7/16x11-27/32	TB73716	16.9
3-3/16	3/4x3/8x11-27/32	TB73316	19.2
3	3/4x3/8x11-27/32	TB73	20.1
2-15/16	3/4x3/8x11-27/32	TB721516	21.3
2-7/8	3/4x3/8x11-27/32	TB7278	21.5
2-13/16	3/4x3/8x11-27/32	TB721316	22.8
2-11/16	5/8x5/16x11-27/32	TB721116	23
2-1/2	5/8x5/16x11-27/32	TB7212	23.3
2-7/16	5/8x5/16x11-27/32	TB72716	24.2



DIR7 Motor Mount

Description	Model #	Frame	Weight (Lbs)
Motor Mount Standard	MM 7	(143T-365T)	105



DIR7 Backstop

Description	Model #	Weight (Lbs)
Backstop Assembly	BS 7	2.8



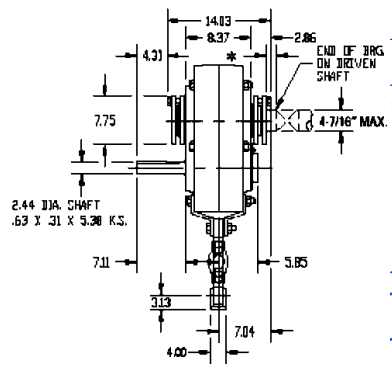
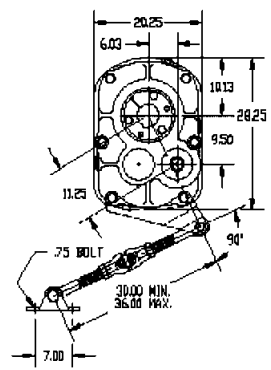
DIR7 Metal Belt Guards

Description	Model #	Weight (Lbs)
Metal Belt Guard	BG 7	85



DIR8 Shaft Mount Reducer/Accessories

Refer to Accessories Outline Pages for Further Detail



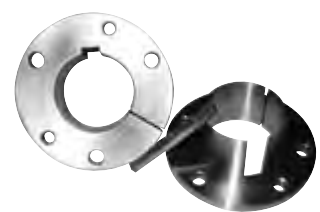
DIR8 Shaft Mount Reducer / Accessories

Reducer Size	Ratio	Model #	AGMA Code	Weight (Lbs)
8	15:1	DIR815	407D15	685
8	25:1	DIR825	407D25	685

*Includes Torque Arm assembly

DIR8 Tapered Bushing Sizes

Stock Bore Size	Shaft Keyseat Dim.	Model #	Weight (Lbs)
4-7/16(max)	1x1/2x13-1/16	TB84716	15
4-3/16	1x1/2x13-1/16	TB84316	17
3-15/16	1x1/2x13-1/16	TB831516	20
3-7/16	7/8X7/16X13-1/16	TB83716	25
3-3/16	3/4X3/8X13-1/16	TB83316	25.8
2-15/16	3/4X3/8X13-1/16	TB821516	29



DIR8 Motor Mount



Description	Model #	Frame	Weight (Lbs)
Motor Mount Standard	MM 8	(213T-365T)	115

DIR8 Backstop



Description	Model #	Weight (Lbs)
Backstop Assembly	BS 8	3.8

DIR8 Metal Belt Guards

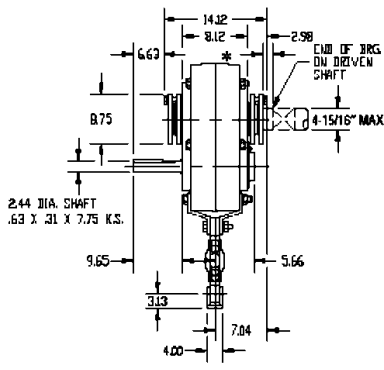
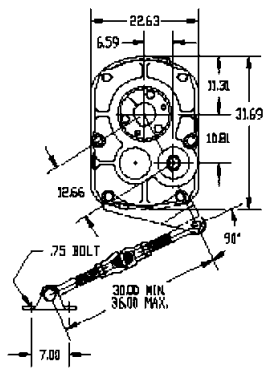


Description	Model #	Weight (Lbs)
Metal Belt Guard	BG 8	105



DIR9 Shaft Mount Reducer/Accessories

Refer to Accessories Outline Pages for Further Detail



DIR9 Shaft Mount Reducer / Accessories

Reducer Size	Ratio	Model #	AGMA Code	Weight (Lbs)
9	15:1	DIR915	415D15	820
9	26:1	DIR926	415D26	820

*Includes Torque Arm assembly

DIR9 Tapered Bushing Sizes

Stock Bore Size	Shaft Keyseat Dim.	Model #	Weight (Lbs)
4-15/16 (Max)	1-1/4x5/8x12-15/16	TB941516	22
4-7/16	1x1/2x12-15/16	TB94716	27
3-15/16	1X1/2X12-15/16	TB931516	32
3-7/16	7/8X7/16X12-15/16	TB93716	36



DIR9 Motor Mount



Description	Model #	Frame	Weight (Lbs)
Motor Mount Standard	MM 9	(284T-365T)	115

DIR9 Backstop



Description	Model #	Weight (Lbs)
Backstop Assembly	BS 9	6.7

DIR9 Metal Belt Guards

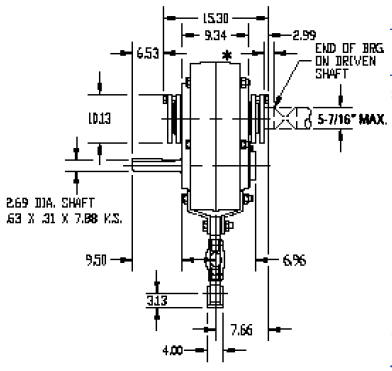
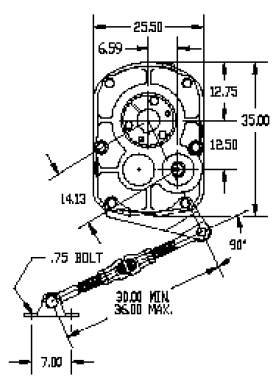


Description	Model #	Weight (Lbs)
Metal Belt Guard	BG 9	120



DIR10 Shaft Mount Reducer/Accessories

Refer to Accessories Outline Pages for Further Detail



DIR10 Shaft Mount Reducer / Accessories

Reducer Size	Ratio	Model #	AGMA Code	Weight (Lbs)
10	15:1	DIR1015	507D15	1095
10	24:1	DIR1024	507D24	1095

*Includes Torque Arm assembly

DIR10 Tapered Bushing Sizes

Stock Bore Size	Shaft Keyseat Dim.	Model #	Weight (Lbs)
5-7/16 (Max)	1-1/4x5/8x14-1/16	TB105716	26.5
4-15/16	1-1/4x5/8x14-1/16	TB1041516	33.5
4-7/16	1x1/2x14-1/16	TB104716	38.6
3-15/16	1x1/2x14-1/16	TB1031516	44



DIR10 Motor Mount

Description	Model #	Frame	Weight (Lbs)
Motor Mount Standard	MM 10	(254T-365T)	127



DIR10 Backstop

Description	Model #	Weight (Lbs)
Backstop Assembly	BS 10	5.6



DIR10 Metal Belt Guards

Description	Model #	Weight (Lbs)
Metal Belt Guard	BG 10	135



ACCESSORY SPECIFICATION



Tapered Bushing Assemblies

Function Specification: Securely mounts Tapered Bushing Reducer driven shaft.

Features:

- Flanged Bushing Mount
- Full Length Shaft Key
- Twin Bushings
- Removal Screws
- Fully Split Bushings
- Ductile Iron
- No Set Screws
- Clamp Fit

Benefits:

- Reliably Support Both Sides Of Reducer
- Maximum Torque & Shock Load Capability
- Fast & Simple Installation
- Reliable Demount Of Reducer
- Eliminates Fretting & Seizing
- Strong, Shock Resistant Bushings
- Eliminates Driven Shaft Damage
- Reduces Wobble & Fits Undersized Shaft

Shaft Mount Reducer Size	Tapered Bushing Size	Model Number	Weight (Lbs)
1	1-7/16 MAX	TB1176	2.0
1	1-1/8	TB1118	1.8
1	1-5/16	TB11516	1.8
1	1-1/4	TB1114	2.0
2	1-15/16 MAX	TB211516	2.9
2	1-3/4	TB2134	3.4
2	1-11/16	TB211116	3.5
2	1-5/8	TB2158	3.6
3	2-3/16 MAX	TB32316	3.7
3	2	TB32	4.3
3	1-15/16	TB311516	4.6
3	1-7/8	TB3178	4.8
4	2-7/16MAX	TB4716	5.9
4	2-1/4	TB4214	6.4
4	2-3/16	TB42316	6.8
4	2-1/8	TB4218	7.1
5	2-15-16MAX	TB521216	7.8
5	2-11/16	TB521116	7.9
5	2-1/2	TB5212	8.5
5	2-7/16	TB52716	8.6

Shaft Mount Reducer Size	Tapered Bushing Size	Model Number	Weight (Lbs)
6	3-7/16MAX	TB63716	9
6	3	TB63	11.6
6	2-15/16	TB621516	11.7
6	2-7/8	TB6278	12.4
7	3-15/16MAX	TB731216	12.9
7	3-7/16	TB73716	13.9
7	3-3/16	TB73316	16.8
7	3	TB73	19.2
8	4-7/16MAX	TB84716	15.1
8	4-3/16	TB84316	17.4
8	3-15/16	TB831516	20.2
8	3-7/16	TB83716	25.6
9	4-15/16 MAX	TB941516	22.0
9	4-7/16	TB94716	27.0
9	3-15/16	TB931516	32.4
9	3-7/16	TB93716	36.0
10	5-7/16 MAX	TB105716	26.4
10	4-15/16	TB1041516	33.5
10	4-7/16	TB104716	38.4
10	3-15/16	TB1031516	44

ACCESSORY SPECIFICATION



Motor Mounts

Function Specification: Provide a compact and economical method of mounting electric motors on Torque-Arm Reducers

Features:

- All Steel Construction
- Compactness
- Adjustable Top Plate
- Pre Drilled
- Economical
- Flexible Mounting
- Interchangeability

Benefits:

- Rigid Motor Support
- Eliminates Separate Motor Basis
- Fast & Easy Belt Tensioning
- Accomodates Standard NEMA Motors
- Low Cost & Eliminates Alignment Problems
- Pre Drilled For Belt Guard Attachment
- Also Fits Conveyor Drives

Shaft Mount Reducer Size	Model Number	Model Number	NEMA Motor Frame	Weight (Lbs)
Size 1 & 2	(DIR1 & DIR2)	MM2 Standard	56T	37.5
Size 3	(DIR3)	MML3 Long	56T-215T	45
Size 3	(DIR3)	MM3 Standard	56T- 215T	42.5
Size 3	(DIR3)	MM3 Standard	143T-215T	73
Size 4	(DIR4)	MM4 Standard	143T-286T	73
Size 4	(DIR4)	MML4 Long	143T-286T	75
Size 5	(DIR5)	MM5 Standard	143T-286T	73
Size 5	(DIR5)	MML5 Long	143T-286T	89
Size 5	(DIR5)	MM5 Standard	324T-326T	73
Size 6	(DIR6)	MM6 Standard	143T-326T	95
Size 6	(DIR6)	MML6 Long	143T-326T	100
Size 7	(DIR7)	MM 7 Standard	143T-326T	105
Size 7	(DIR7)	MML7 Long	143T-326T	100
Size 8	(DIR8)	MM8 Standard	213T-365T	115
Size 9	(DIR9)	MM9 Standard	213T-365T	115
Size 9	(DIR9)	MM9 Standard	404T-405T	125
Size 10	(DID10)	MM10 Standard	254T-365T	127
Size 10	(DID10)	MM10 Standard	404T-445T	200

ACCESSORY SPECIFICATION



Backstop Assemblies

Function Specification: Prevents reverse of shaft direction.

Features:

- Quick Installations
- Internally Mounted
- Oil Lubricated
- Long Life
- Keyed to Reducer
- Reversible

Benefits:

- Fits input shaft of a torque arm reducers
- Sealed inside reducer for protection
- No external lubrication required
- Case hardened, shock resistant sprags
- High load capacity
- Suitable for either direction of rotation

Shaft Mount Reducer Size	Model Number	Weight (Lbs)
1	BS-1	.8
2	BS-2	1.0
3	BS-3	1.1
4	BS-4	1.2
5	BS-5	2.2
6	BS-6	2.5
7	BS-7	2.8
8	BS-8	3.8
9	BS-9	3.8
10	BS-10	5.6

ACCESSORY SPECIFICATION



Belt Guards

Function Specification: Enclose and protect belt drive.

Features:

- Expanded Metal Construction
- Mounting Hardware
- Assembles To Reducer And Motor Mount Holes
- Flexibility

Benefits:

- Light Weight, Ventilated
- Meets Safety Requirements
- Quick, Easy Assembly
- No Matching Needed
- One Size Fits Most Common Sheave Diameters

Shaft Mount Reducer Size	Model Number	Weight (Lbs)
1	BG-1	30
2	BG-2	30
3	BG-3	44
4	BG-4	56
5	BG-5	73
6	BG-6	80
7	BG-7	85
8	BG-8	105
9	BG-9	120
10	BG-10	135

ACCESSORY SPECIFICATION



Screw Conveyor Drive Shafts

Function Specification: Multiple sizes to drive screw conveyor.

Features/Benefits:

- Machined From High Strength Alloy Steel
- Conform To CEMA Dimensional Standards
- Easy Installation Into Standard Hollow Bore

Shaft Mount	Shaft	Model	Weight
1	C1X1-1/2	SDS1112	7.2
1	C1X2	SDS12	9.1
1	C1X2-7/16	SDS12716	12.5
1	C1X3	SDS13	17.4
2	C2X1-1/2	SDS2112	11.4
2	C2X2	SDS22	13.8
2	C2X2-7/16	SDS22716	17.4
2	C2X3	SDS23	19
3	C3X1/12	SDS3112	15
3	C3X2	SDS32	16
3	C3X2-7/16	SDS32716	19.5
3	C3X3	SDS33	26
4	C4X1-1/2	SDS4112	19
4	C4X2	SDS42716	24.3

Shaft Mount	Shaft	Model	Weight
4	C4X2-7/16	SDS42716	29.2
4	C4X3	SDS43	29.2
4	C4X3-7/16	SDS43716	39.3
5	C5X2	SDS52	29.4
5	C5X2-7/16	SDS52716	33
5	C5X3	SDS53	37.9
5	C5X3-7/16	SDS53716	48.3
6	C6X2-7/16	SDS62716	47.7
6	C6X3	SDS63	52.7
6	C6X2-7/16	SDS62716	63
7	C7X2-7/16	SDS72716	58
7	C7X3	SDS73	70
7	C7X3-7/16	SDS73716	80.3

ACCESSORY SPECIFICATION

CEMA Adapter



Function Specification: Bolts directly to screw conveyor.

Features/Benefits:

- Machined From High Strength Cast Iron
- Conform To CEMA Dimensional Standards
- Easy Installation Onto Shaft Mount Reducer With Bolts Provided

Shaft Mount Reducer Size	Model Number	Weight (Lbs)
1	C1	13
2	C2	15
3	C3	29
4	C4	33
5	C5	43
6	C6	56
7	C7	72

LMI PART INTERCHANGE FOR DODGE



LMI Tapered Bushing Interchange

Dodge Part Number	Reducer Size	LMI Part Number	Model Description	Weight (Lbs)
242168	DIR2	TB211516	Bore 1-15/16	2.9
242166	DIR2	TB2134	Bore 1-3/4	3.4
242164	DIR2	TB211116	Bore 1-11/16	3.2
242162	DIR2	TB2158	Bore 1-5/8	3.3
242158	DIR2	TB2112	Bore 1-1/2	3.8
242156	DIR2	TB21716	Bore 1-7/16	4
242154	DIR2	TB2138	Bore 1-3/8	3.6
242152	DIR2	TB21516	Bore 1-15/16	3.7
242150	DIR2	TB2114	Bore 1-1/4	3.6
242148	DIR2	TB21316	Bore 1-3/16	3.7
242146	DIR2	TB2118	Bore 1-1/8	3.7
243276	DIR3	TB32316	Bore 2-3/16"	3.7
243274	DIR3	TB32	Bore 2"	4.2
243272	DIR3	TB311516	Bore 1-15/16"	4.3
243270	DIR3	TB3178	Bore 1-7/8"	4.5
243266	DIR3	TB3134	Bore 1-3/4"	4.8
243268	DIR3	TB311116	Bore 1-11/16"	4.8
243264	DIR3	TB3158	Bore 1-5/8"	5.4
243262	DIR3	TB3112	Bore 1-1/2"	5.6
243260	DIR3	TB31716	Bore 1-7/16"	5.8
243284	DIR3	TB3138	Bore 1-3/8"	5.8
243282	DIR3	TB31516	Bore 1-5/16"	5.8
244115	DIR4	TB42716	Bore 2-7/16"	5.8
244113	DIR4	TB4214	Bore 2-1/4"	6.4
244111	DIR4	TB42316	Bore 2-3/16"	6.6
244109	DIR4	TB4218	Bore 2-1/8"	7
244095	DIR4	TB42	Bore 2	7.2
244093	DIR4	TB411516	Bore 1-15/16"	7.4
244089	DIR4	TB4178	Bore 1-7/8"	7.6

LMI PART INTERCHANGE FOR DODGE

LMI Tapered Bushing Interchange (continued)



Dodge Part Number	Reducer Size	LMI Part Number	Model Description	Weight (Lbs)
244087	DIR4	TB4134	Bore 1-3/4"	8.1
244085	DIR4	TB411116	Bore 1-11/16"	8.4
244083	DIR4	TB4158	Bore 1-5/8"	8.4
244081	DIR4	TB4112	Bore 1-1/2"	8.4
244079	DIR4	TB41716	Bore 1-7/16"	8.9
245112	DIR5	TB521516	Bore 2-15/16"	7.9
245110	DIR5	TB521116	Bore 2-11/16"	7.9
245099	DIR5	TB5212	Bore 2-1/2"	8.6
245092	DIR5	TB52716	Bore 2-7/16"	9.3
245094	DIR5	TB5214	Bore 2-1/4"	9.3
245090	DIR5	TB52316	Bore 2-3/16"	10
245088	DIR5	TB52	Bore 2	10.3
245086	DIR5	TB511516	Bore 1-15/16"	10.3
245084	DIR5	TB5178	Bore 1-7/8"	10.3
246268	DIR6	TB63716	Bore 3-7/16"	9.1
246283	DIR6	TB63	Bore 3"	11.3
246267	DIR6	TB621516	Bore 2-15/16"	11.3
246266	DIR6	TB6278	Bore 2-7/8"	12.3
246265	DIR6	TB621116	Bore 2-11/16"	12.9
246264	DIR6	TB6212	Bore 2-1/2"	14.2
246263	DIR6	TB62716	Bore 2-7/16"	14.4
246262	DIR6	TB6214	Bore 2-1/4"	14.9
246261	DIR6	TB62316	Bore 2-3/16"	14.9
272136	DIR7	TB731516	Bore 3-15/16"	16.8
272135	DIR7	TB73716	Bore 3-7/16"	17
272134	DIR7	TB73316	Bore 3-3/16"	19
272133	DIR7	TB73	Bore 3"	20.2
272132	DIR7	TB721516	Bore 2-15/16"	21.4
272131	DIR7	TB7278	Bore 2-7/8"	21.5

LMI PART INTERCHANGE FOR DODGE



LMI Tapered Bushing Interchange (continued)

Dodge Part Number	Reducer Size	LMI Part Number	Model Description	Weight (Lbs)
272130	DIR7	TB721316	Bore 2-13/16"	22.8
272147	DIR7	TB721116	Bore 2-11/16"	23
272149	DIR7	TB7212	Bore 2-1/2"	23.3
272125	DIR7	TB72716	Bore 2-7/16"	24.8
272035	DIR8	TB84716	Bore 4-7/16"	16
272034	DIR8	TB84316	Bore 4-3/16"	17
272033	DIR8	TB831516	Bore 3-15/16"	20
272032	DIR8	TB83716	Bore 3-7/16"	25
272045	DIR8	TB83316	Bore 3-3/16"	26
272048	DIR8	TB821516	Bore 2-15/16"	29



LMI CEMA Adapter Interchange

Dodge Part Number	Reducer Size	LMI Part Number	Model Description	Weight (Lbs)
353047	SCXT3	C-3	CEMA Adapter	29
354121	SCXT4	C-4	CEMA Adapter	33
355072	SCXT5	C-5	CEMA Adapter	43
356055	SCXT6	C-6	CEMA Adapter	56
356187	SCXT7	C-7	CEMA Adapter	72

LMI PART INTERCHANGE FOR DODGE



LMI Drive Shaft Interchange

Dodge Part Number	Reducer Size	LMI Part Number	Model Description	Weight (Lbs)
243562	SCXT3	SDS3112	Drive Shaft 1-1/2"	15
243563	SCXT3	SDS32	Drive Shaft 2"	16
243564	SCXT3	SDS32716	Drive Shaft 2-7/16"	19
242565	SCXT3	SDS33	Drive Shaft 3"	26
244594	SCXT4	SDS4112	Drive Shaft 1-1/2"	19
244595	SCXT4	SDS42	Drive Shaft 2"	21
244596	SCXT4	SDS42716	Drive Shaft 2-7/16"	24
244597	SCXT4	SDS43	Drive Shaft 3"	30
244598	SCXT4	SDS43716	Drive Shaft 3-7/16"	39
355175	SCXT5	SDS52	Drive Shaft 2"	30
355176	SCXT5	SDS52716	Drive Shaft 2-7/16"	33
355177	SCXT5	SDS53	Drive Shaft 3"	38
355178	SCXT5	SDS53716	Drive Shaft 3-7/16"	48
356042	SCXT6	SDS62716	Drive Shaft 2-7/16"	48
356043	SCXT6	SDS63	Drive Shaft 3"	53
356044	SCXT6	SDS63716	Drive Shaft 3-7/16"	63
356182	SCXT7	SDS72716	Drive Shaft 2-7/16"	58
356183	SCXT7	SDS73	Drive Shaft 3"	70
356184	SCXT7	SDS73716	Drive Shaft 3-7/16"	81

LMI PART INTERCHANGE FOR DODGE

LMI Shaft Mount Gear Reducer Interchange



Dodge Part Number	Reducer Size	LMI Part Number	Model Description	Weight (Lbs)
242079	TXT209T	DIR209	Size2 9:1 Ratio	58
242082	TXT215T	DIR215	Size2 15:1 Ratio	58
242083	TXT225T	DIR225	Size2 25:1 Ratio	58
243500	TXT309AT	DIR309	Size3 9:1 Ratio	100
243501	TXT315AT	DIR315	Size3 15:1 Ratio	100
243502	TXT325AT	DIR325	Size3 25:1 Ratio	100
244525	TXT409AT	DIR409	Size4 9:1 Ratio	143
244526	TXT415AT	DIR415	Size4 15:1 Ratio	143
244527	TXT425AT	DIR425	Size4 25:1 Ratio	143
245550	TXT509BT	DIR509	Size5 9:1 Ratio	210
245551	TXT515BT	DIR515	Size5 15:1 Ratio	210
245552	TXT525BT	DIR525	Size5 25:1 Ratio	210
246149	TXT609T	DIR609	Size6 9:1 Ratio	299
246150	TXT615T	DIR615	Size6 15:1 Ratio	299
246151	TXT625T	DIR625	Size6 25:1 Ratio	299
247159	TXT709T	DIR709	Size7 9:1 Ratio	488
247160	TXT715T	DIR715	Size7 15:1 Ratio	488
247161	TXT725T	DIR725	Size7 25:1 Ratio	488
248279	TXT815T	DIR815	Size8 15:1 Ratio	665
248280	TXT825T	DIR825	Size8 25:1 Ratio	665

LMI PART INTERCHANGE FOR DODGE



LMI Backstop Interchange

Dodge Part Number	Backstop Size	LMI Part Number	Model Description	Weight (Lbs)
252101	TXT2 B/S	BS-2	Backstop Size 2	1
243106	TXT3A B/S	BS-3	Backstop Size 3	1
244106	TXT4AB/S	BS-4	Backstop Size 4	1.2
245154	TXT5B B/S	BS-5	Backstop Size 5	2.2
246092	TXT6 B/S	BS-6	Backstop Size 6	2.5
247260	TXT7 B/S	BS-7	Backstop Size 7	2.8
249260	TXT8 B/S	BS-8	Backstop Size 8	3.8



LMI Motor Mount Interchange

Dodge Part Number	Motor Mount Size	LMI Part Number	Model Description	Weight (Lbs)
241391	Size 2 56-215T	MM2	Motor Mount Std	38
243391	Size 3 56-215T	MM3	Motor Mount Std	40
244391	Size 4 143T-286T	MM4	Motor Mount Std	75
245391	Size 5 143T-286T	MM5	Motor Mount Std	76
246391	Size 6 143T-326T	MM6	Motor Mount Std	99
247391	Size 7 143T-365T	MM7	Motor Mount Std	110
248401	Size 8 213T-365T	MM8	Motor Mount Std	119

Belt Guards for Shaft Mount Reducers

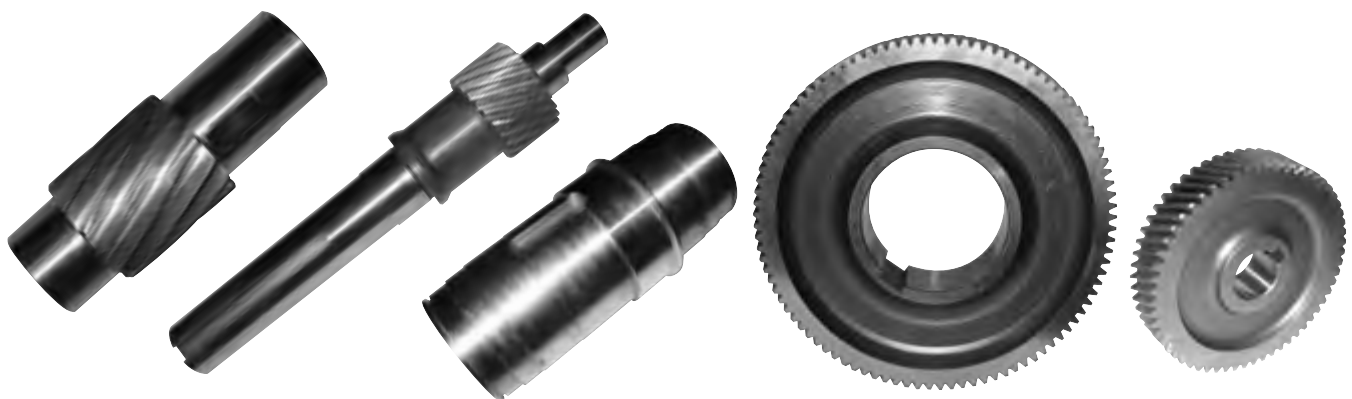


Dodge Part Number	Belt Guard Size	LMI Part Number	Model Description	Weight (Lbs)
242395	Size 2 56-215T	BG2	Expanded Metal Grid	36
243387	Size 3 56-215T	BG3	Expanded Metal Grid	43
244395	Size 4 143T-286T	BG4	Expanded Metal Grid	54
245387	Size 5 143T-286T	BG5	Expanded Metal Grid	75
246366	Size 6 143T-365T	BG6	Expanded Metal Grid	83
247390	Size 7 143T-365T	BG7	Expanded Metal Grid	90
248395	Size 8 143T-365T	BG8	Expanded Metal Grid	107

INDIVIDUAL REPLACEMENT PARTS FOR LMI & DODGE

TXT's 3A, 4A, 5B, 6, 7, 8 & LMI Reducers DIR3 through DIR8

LMI Part #	Dodge Part #	Part Description	Wgt (Lbs)	LMI Part #	Dodge Part #	Part Description	Wgt (Lbs)
HSS309	243549	hi-speed input w/pinion 9:1	4	OHG500	245186	output hub gear	21
HSS315	243550	hi-speed input w/pinion 15:1	4.2	HSS609	246481	hi-speed input w/pinion 9:1	16
HSS325	243551	hi-speed input w/pinion 25:1	3.2	HSS615	246290	hi-speed input w/pinion 15:1	16
FRG309	243237	1st reduction gear 9:1	5	HSS625	246291	hi-speed input w/pinion 25:1	14
FRG315	243238	1st reduction gear 15:1	5	FRG609	246482	1st reduction gear 9:1	15
FRG325	243239	1st reduction gear 25:1	5	FRG615	246292	1st reduction gear 15:1	12
CSG300	243555	countershaft w/pinion	2	FRG625	246293	1st reduction gear 25:1	13
OUH300	243556	output hub tapered	7.5	CSG600	246294	countershaft w/pinion	5
OHG300	243570	output hub gear	13	OUH600	246269	output hub tapered	13
HSS409	244579	hi-speed input w/pinion 9:1	5	OHG600	246295	output hub gear	35
HSS415	244580	hi-speed input w/pinion 15:1	4.7	HSS709	247479	hi-speed input w/pinion 9:1	21
HSS425	244581	hi-speed input w/pinion 25:1	4.7	HSS715	247370	hi-speed input w/pinion 15:1	20
FRG409	244482	1st reduction gear 9:1	10	HSS725	247371	hi-speed input w/pinion 25:1	18.3
FRG415	244214	1st reduction gear 15:1	5.3	FRG709	247478	1st reduction gear 9:1	20
FRG425	244212	1st reduction gear 25:1	6	FRG715	247008	1st reduction gear 15:1	22
CSG400	244590	countershaft w/pinion	2	FRG725	247005	1st reduction gear 25:1	25
OUH400	244588	output hub tapered	7.5	CSG700	247002	countershaft w/pinion	7
OHG400	244188	output hub gear	16	OUH700	272137	output hub tapered	30
HSS509	245599	hi-speed input w/pinion 9:1	10	OHG700	247215	output hub gear	50
HSS515	245600	hi-speed input w/pinion 15:1	11	HSS815	248370	hi-speed input w/pinion 15:1	30
HSS525	245601	hi-speed input w/pinion 25:1	9.2	HSS824	248371	hi-speed input w/pinion 24:1	35
FRG509	245582	1st reduction gear 9:1	12	FRG815	248213	1st reduction gear 15:1	30
FRG515	245214	1st reduction gear 15:1	7.3	FRG824	248214	1st reduction gear 25:1	30
FRG525	245212	1st reduction gear 25:1	9	CSG800	248002	countershaft w/pinion	13
CSG500	245596	countershaft w/pinion	3	OUH800	272036	output hub tapered	32
OUH500	245590	output hub tapered	10	OHG800	248215	output hub gear	92



LMI REBUILD KITS

Stage I Rebuild Kits for Dodge & LMI Reducers

Includes Bearings & Seals

Reducer Size	LMI Part #	Dodge Part #	Wgt (Lbs)	Reducer Size	LMI Part #	Dodge Part #	Wgt (Lbs)
DIR/TXT 1	N/A	392270	N/A	DIR/TXT & SCXT 8	K18	392299	38.5
DIR/TXT 2	N/A	392274	N/A	DIR/TXT & SCXT 9	N/A	392302	N/A
DIR/TXT & SCXT 3A	K13	392278	9.8	DIR/TXT & SCXT 10	N/A	392305	N/A
DIR/TXT & SCXT 4A	K14	392282	13.6	DIR/TXT & SCXT 12	N/A	392308	N/A
DIR/TXT & SCXT 5B	K15	392287	16.5	DIR/TXT & SCXT 13	N/A	392311	N/A
DIR/TXT & SCXT 6	K16	392291	28.7	DIR/TXT & SCXT 14	N/A	392313	N/A
DIR/TXT & SCXT 7	K17	392295	31.1	DIR/TXT & SCXT 15	N/A	392315	N/A



Stage II Rebuild Kits for Dodge & LMI Reducers

Includes Bearings, Seals, High Speed Input Shaft, & First Reduction Gear

Reducer Size	LMI Part #	Dodge Part #	Wgt (Lbs)	Reducer Size	LMI Part #	Dodge Part #	Wgt (Lbs)
DIR/TXT 109	N/A	392271	N/A	DIR/TXT & SCXT 509A	K2509	392288	41.6
DIR/TXT 115	N/A	392272	N/A	DIR/TXT & SCXT 515A	K2515	392289	42.5
DIR/TXT 125	N/A	392273	N/A	DIR/TXT & SCXT 525A	K2525	392290	35.9
DIR/TXT 209	N/A	392275	N/A	DIR/TXT & SCXT 609A	K2609	392292	52.1
DIR/TXT 215	N/A	392276	N/A	DIR/TXT & SCXT 615A	K2615	392293	53.7
DIR/TXT 225	N/A	392277	N/A	DIR/TXT & SCXT 625A	K2625	392294	53.9
DIR/TXT & SCXT 309A	K2309	392279	16.5	DIR/TXT & SCXT 709A	K2709	392296	74.
DIR/TXT & SCXT 315A	K2315	392280	17.5	DIR/TXT & SCXT 715A	K2715	392297	75
DIR/TXT & SCXT 325A	K2325	392281	17.7	DIR/TXT & SCXT 725A	K2725	392298	75.8
DIR/TXT & SCXT 409A	K2409	392283	23.2	DIR/TXT & SCXT 815A	K2815	392300	93
DIR/TXT & SCXT 415A	K2415	392284	24.3	DIR/TXT & SCXT 825A	K2825	392301	96
DIR/TXT & SCXT 425A	K2425	392285	26.7				



LMI Premium Quality Shaft Mount Gear Reducers
1-877-325-7520

LMI REBUILD KITS

Stage III Complete Rebuild Kits for Dodge & LMI Reducers

Includes Seals, Bearings, All Gears & Output Hub

Reducer Size	LMI Part #	Dodge Part #	Wgt (Lbs)	Reducer Size	LMI Part #	Dodge Part #	Wgt (Lbs)
DIR/TXT & SCXT 309A	K3309	N/A	41.5	DIR/TXT & SCXT 609	K3609	N/A	112.3
DIR/TXT & SCXT 315A	K3315	N/A	41.7	DIR/TXT & SCXT 615	K3615	N/A	109.9
DIR/TXT & SCXT 325A	K3325	N/A	40.7	DIR/TXT & SCXT 625	K3625	N/A	108.7
DIR/TXT & SCXT 409A	K3409	N/A	54.1	DIR/TXT & SCXT 709	K3709	N/A	159.1
DIR/TXT & SCXT 415A	K3415	N/A	49.1	DIR/TXT & SCXT 715	K3715	N/A	160.5
DIR/TXT & SCXT 425A	K3425	N/A	49.8	DIR/TXT & SCXT 725	K3725	N/A	161.8
DIR/TXT & SCXT 509B	K3509	N/A	72.5	DIR/TXT & SCXT 815	K3815	N/A	235.5
DIR/TXT & SCXT 515B	K3515	N/A	68.8	DIR/TXT & SCXT 825	K3825	N/A	227.7
DIR/TXT & SCXT 525B	K3525	N/A	62.7				



Discover the LMI Way



At LMI our goal is simple: to provide high quality, premium shaft mount gear reducers and replacement parts. We offer a complete line of shaft mount gear reducers from size DIR 1 through DIR 10 in stock at our distribution location in Ada, Oklahoma. With headquarters and distribution located in the center of the U.S., LMI is ideally situated to service not only the domestic market, but all of North America as well.

Most importantly, we strive to provide the best customer service. We at LMI feel bringing shaft mount reducers to market should be done in the most efficient, competitive manner possible. Our channel to the marketplace is driven by our customers' needs, and we will continue to be responsive to those needs as we develop our products and procedures.

We are dedicated to excellence—in service, growth and innovation. When you are ready to deal with a company that is focused on providing premium shaft mount gear reducers along with excellent customer service, please give us a call and we will take care of the rest.



*1406 N. Broadway
Ada, OK 74820*

**For more information or to find your nearest distributor,
call 1-877-325-7520**