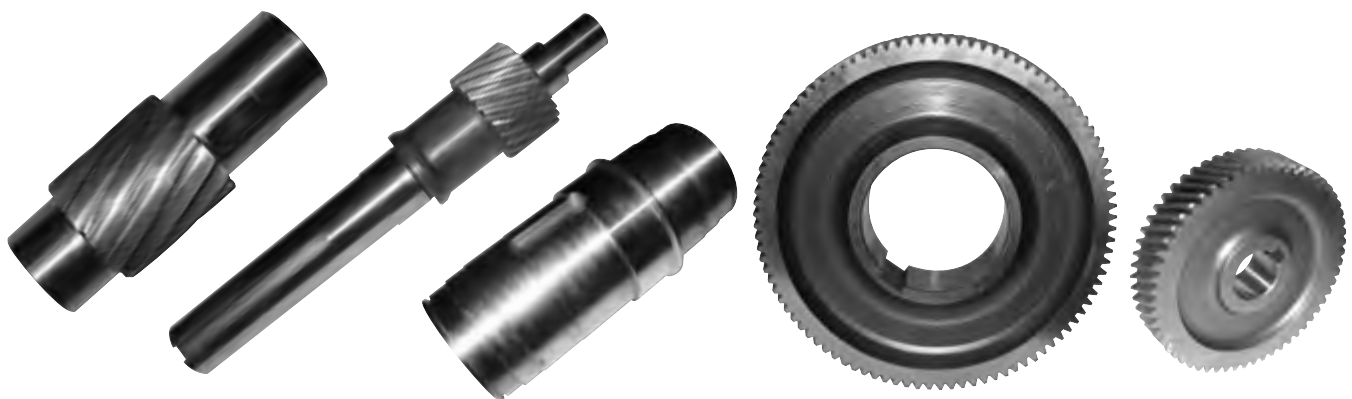


# INDIVIDUAL REPLACEMENT PARTS FOR LMI & DODGE

## TXT's 3A, 4A, 5B, 6, 7, 8 & LMI Reducers DIR3 through DIR8

LMI Part #	Dodge Part #	Part Description	Wgt (Lbs)	LMI Part #	Dodge Part #	Part Description	Wgt (Lbs)
HSS309	243549	hi-speed input w/pinion 9:1	4	OHG500	245186	output hub gear	21
HSS315	243550	hi-speed input w/pinion 15:1	4.2	HSS609	246481	hi-speed input w/pinion 9:1	16
HSS325	243551	hi-speed input w/pinion 25:1	3.2	HSS615	246290	hi-speed input w/pinion 15:1	16
FRG309	243237	1st reduction gear 9:1	5	HSS625	246291	hi-speed input w/pinion 25:1	14
FRG315	243238	1st reduction gear 15:1	5	FRG609	246482	1st reduction gear 9:1	15
FRG325	243239	1st reduction gear 25:1	5	FRG615	246292	1st reduction gear 15:1	12
CSG300	243555	countershaft w/pinion	2	FRG625	246293	1st reduction gear 25:1	13
OUH300	243556	output hub tapered	7.5	CSG600	246294	countershaft w/pinion	5
OHG300	243570	output hub gear	13	OUH600	246269	output hub tapered	13
HSS409	244579	hi-speed input w/pinion 9:1	5	OHG600	246295	output hub gear	35
HSS415	244580	hi-speed input w/pinion 15:1	4.7	HSS709	247479	hi-speed input w/pinion 9:1	21
HSS425	244581	hi-speed input w/pinion 25:1	4.7	HSS715	247370	hi-speed input w/pinion 15:1	20
FRG409	244482	1st reduction gear 9:1	10	HSS725	247371	hi-speed input w/pinion 25:1	18.3
FRG415	244214	1st reduction gear 15:1	5.3	FRG709	247478	1st reduction gear 9:1	20
FRG425	244212	1st reduction gear 25:1	6	FRG715	247008	1st reduction gear 15:1	22
CSG400	244590	countershaft w/pinion	2	FRG725	247005	1st reduction gear 25:1	25
OUH400	244588	output hub tapered	7.5	CSG700	247002	countershaft w/pinion	7
OHG400	244188	output hub gear	16	OUH700	272137	output hub tapered	30
HSS509	245599	hi-speed input w/pinion 9:1	10	OHG700	247215	output hub gear	50
HSS515	245600	hi-speed input w/pinion 15:1	11	HSS815	248370	hi-speed input w/pinion 15:1	30
HSS525	245601	hi-speed input w/pinion 25:1	9.2	HSS824	248371	hi-speed input w/pinion 24:1	35
FRG509	245582	1st reduction gear 9:1	12	FRG815	248213	1st reduction gear 15:1	30
FRG515	245214	1st reduction gear 15:1	7.3	FRG824	248214	1st reduction gear 25:1	30
FRG525	245212	1st reduction gear 25:1	9	CSG800	248002	countershaft w/pinion	13
CSG500	245596	countershaft w/pinion	3	OUH800	272036	output hub tapered	32
OUH500	245590	output hub tapered	10	OHG800	248215	output hub gear	92



# LMI REBUILD KITS

## Stage I Rebuild Kits for Dodge & LMI Reducers

*Includes Bearings & Seals*

Reducer Size	LMI Part #	Dodge Part #	Wgt (Lbs)	Reducer Size	LMI Part #	Dodge Part #	Wgt (Lbs)
DIR/TXT 1	N/A	392270	N/A	DIR/TXT & SCXT 8	K18	392299	38.5
DIR/TXT 2	N/A	392274	N/A	DIR/TXT & SCXT 9	N/A	392302	N/A
DIR/TXT & SCXT 3A	K13	392278	9.8	DIR/TXT & SCXT 10	N/A	392305	N/A
DIR/TXT & SCXT 4A	K14	392282	13.6	DIR/TXT & SCXT 12	N/A	392308	N/A
DIR/TXT & SCXT 5B	K15	392287	16.5	DIR/TXT & SCXT 13	N/A	392311	N/A
DIR/TXT & SCXT 6	K16	392291	28.7	DIR/TXT & SCXT 14	N/A	392313	N/A
DIR/TXT & SCXT 7	K17	392295	31.1	DIR/TXT & SCXT 15	N/A	392315	N/A



## Stage II Rebuild Kits for Dodge & LMI Reducers

*Includes Bearings, Seals, High Speed Input Shaft, & First Reduction Gear*

Reducer Size	LMI Part #	Dodge Part #	Wgt (Lbs)	Reducer Size	LMI Part #	Dodge Part #	Wgt (Lbs)
DIR/TXT 109	N/A	392271	N/A	DIR/TXT & SCXT 509A	K2509	392288	41.6
DIR/TXT 115	N/A	392272	N/A	DIR/TXT & SCXT 515A	K2515	392289	42.5
DIR/TXT 125	N/A	392273	N/A	DIR/TXT & SCXT 525A	K2525	392290	35.9
DIR/TXT 209	N/A	392275	N/A	DIR/TXT & SCXT 609A	K2609	392292	52.1
DIR/TXT 215	N/A	392276	N/A	DIR/TXT & SCXT 615A	K2615	392293	53.7
DIR/TXT 225	N/A	392277	N/A	DIR/TXT & SCXT 625A	K2625	392294	53.9
DIR/TXT & SCXT 309A	K2309	392279	16.5	DIR/TXT & SCXT 709A	K2709	392296	74.
DIR/TXT & SCXT 315A	K2315	392280	17.5	DIR/TXT & SCXT 715A	K2715	392297	75
DIR/TXT & SCXT 325A	K2325	392281	17.7	DIR/TXT & SCXT 725A	K2725	392298	75.8
DIR/TXT & SCXT 409A	K2409	392283	23.2	DIR/TXT & SCXT 815A	K2815	392300	93
DIR/TXT & SCXT 415A	K2415	392284	24.3	DIR/TXT & SCXT 825A	K2825	392301	96
DIR/TXT & SCXT 425A	K2425	392285	26.7				



**LMI Premium Quality Shaft Mount Gear Reducers**  
1-877-325-7520

# LMI REBUILD KITS

## Stage III Complete Rebuild Kits for Dodge & LMI Reducers

Includes Seals, Bearings, All Gears & Output Hub

Reducer Size	LMI Part #	Dodge Part #	Wgt (Lbs)	Reducer Size	LMI Part #	Dodge Part #	Wgt (Lbs)
DIR/TXT & SCXT 309A	K3309	N/A	41.5	DIR/TXT & SCXT 609	K3609	N/A	112.3
DIR/TXT & SCXT 315A	K3315	N/A	41.7	DIR/TXT & SCXT 615	K3615	N/A	109.9
DIR/TXT & SCXT 325A	K3325	N/A	40.7	DIR/TXT & SCXT 625	K3625	N/A	108.7
DIR/TXT & SCXT 409A	K3409	N/A	54.1	DIR/TXT & SCXT 709	K3709	N/A	159.1
DIR/TXT & SCXT 415A	K3415	N/A	49.1	DIR/TXT & SCXT 715	K3715	N/A	160.5
DIR/TXT & SCXT 425A	K3425	N/A	49.8	DIR/TXT & SCXT 725	K3725	N/A	161.8
DIR/TXT & SCXT 509B	K3509	N/A	72.5	DIR/TXT & SCXT 815	K3815	N/A	235.5
DIR/TXT & SCXT 515B	K3515	N/A	68.8	DIR/TXT & SCXT 825	K3825	N/A	227.7
DIR/TXT & SCXT 525B	K3525	N/A	62.7				

